

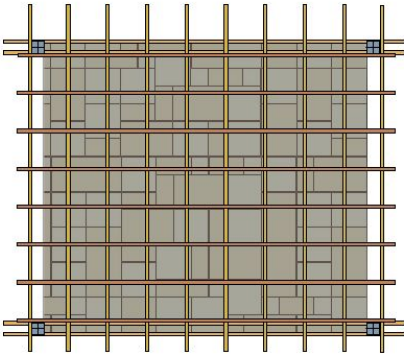
Salisbury Building Arts Program

4.25.26

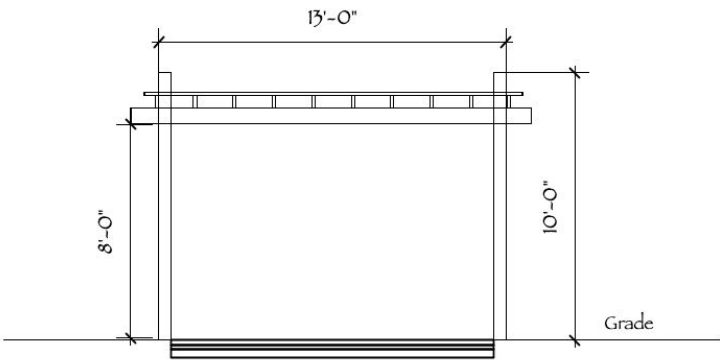
Pergolas



Melissa & Gary Noroian Proposed Pergola
271 Salisbury St. Worcester, MA



1 **Pergola Plan View**
Scale: 1/4" = 1'-0"



2 **Pergola Front View**
Scale: 1/4" = 1'-0"

Router Templates



Chamfering Edges



<https://youtu.be/tWjXNCGRFCM?si=Dr-FeLhe1CkQFfwp>

Chamfer & Lamb's Tongue Post Edge



- <https://youtu.be/BauWMtWxRjU?si=7zmNhUuErCqSUhMe>



https://youtu.be/fLJi7THUgtg?si=zQk7huGc_9Pbyym5



<https://youtu.be/pHfZQaZS2HA?si=oFRWgLSQCfKOeRyp>



EPISODE 6

Angle Bracing for a Pergola

Next Level Carpentry



How to Cut Decorative Ends on Pergola Joists

<https://youtu.be/0TI7AV8HdXI?si=zBwNquOQdkl0opmU>